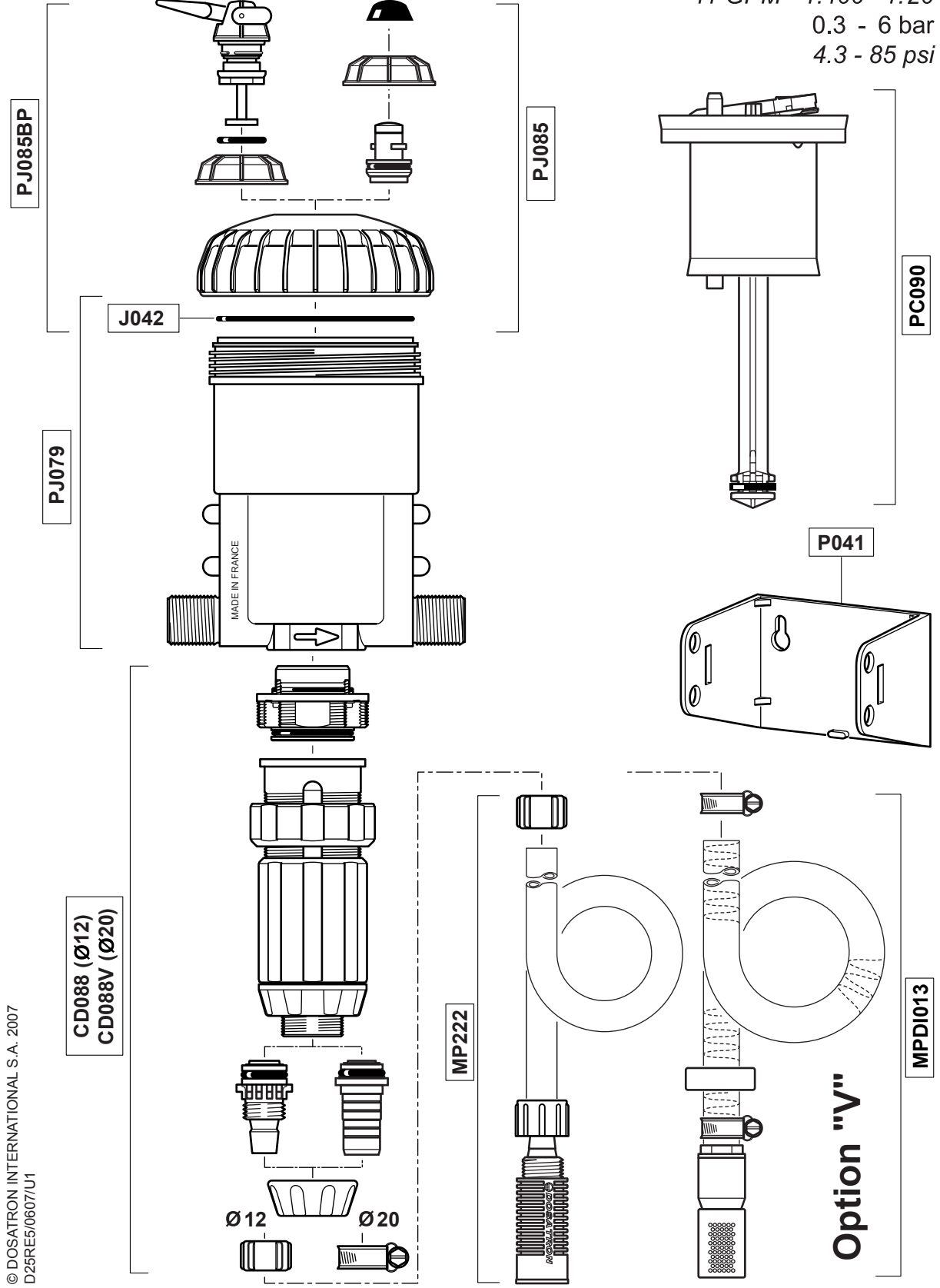


D25RE5

2.5 m³/h - 1 - 5%
 11 GPM - 1:100 - 1:20
 0.3 - 6 bar
 4.3 - 85 psi



© DOSATRON INTERNATIONAL S.A. 2007
 D25RE5/0607/U1

CD088 (Ø12)
 CD088V (Ø20)

MP222

Option "V"

MPDI013

PJ085BP

PJ085

PJ079

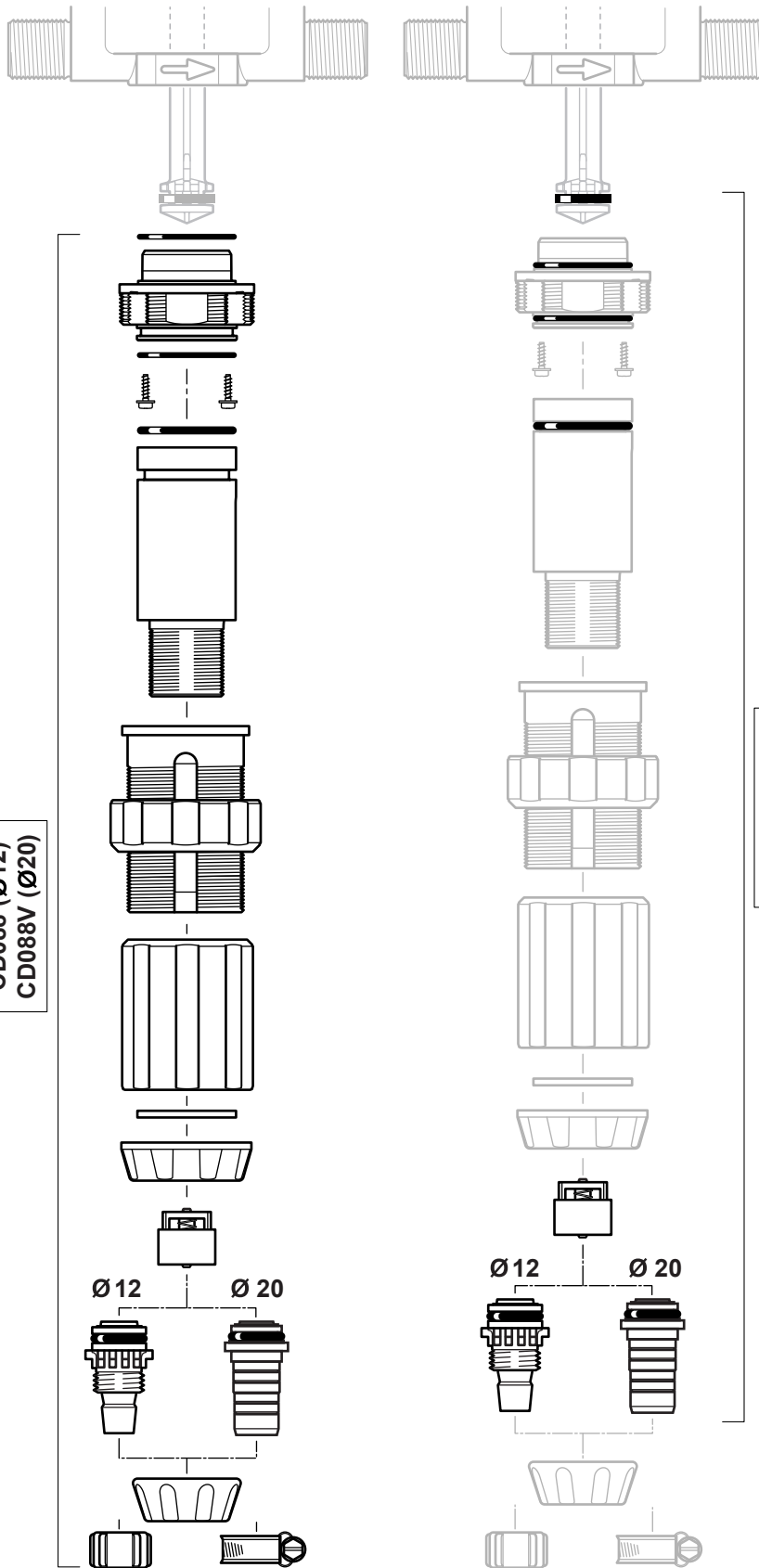
J042

PC090

P041

D25RE5

2.5 m³/h - 1 - 5%
 11 GPM - 1:100 - 1:20
 0.3 - 6 bar
 4.3 - 85 psi



CD088 (Ø12)
 CD088V (Ø20)

PJ119 (Ø12)
 PJ119V (Ø20)