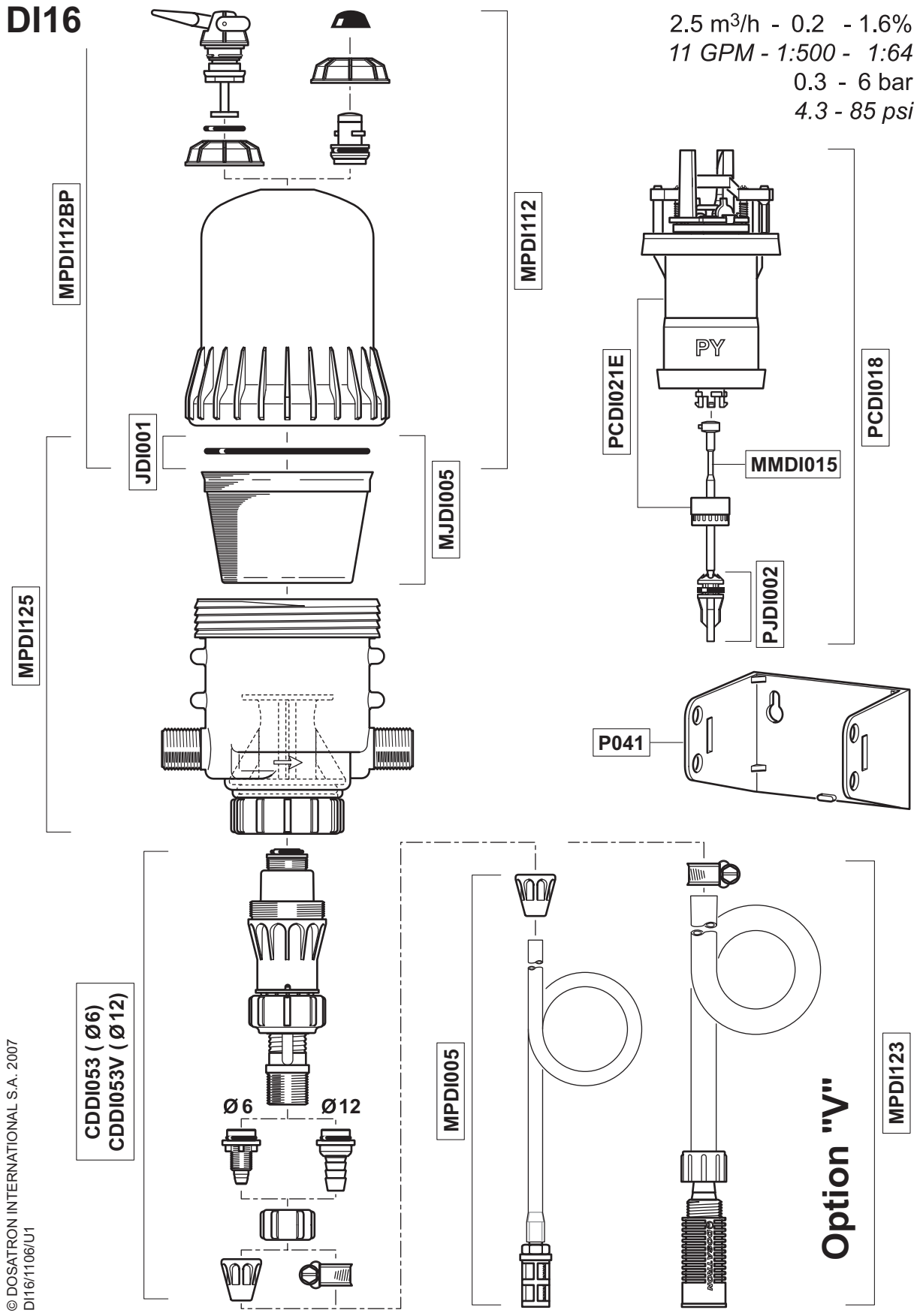


# DI16



# DI16

2.5 m<sup>3</sup>/h - 0.2 - 1.6%  
11 GPM - 1:500 - 1:64  
0.3 - 6 bar  
4.3 - 85 psi

CDDI053 (Ø6)  
CDDI053V (Ø12)

PJDI075 (Ø6)  
PJDI075V (Ø12)

© DOSATRON INTERNATIONAL S.A. 2007  
DI16/1106/U2

