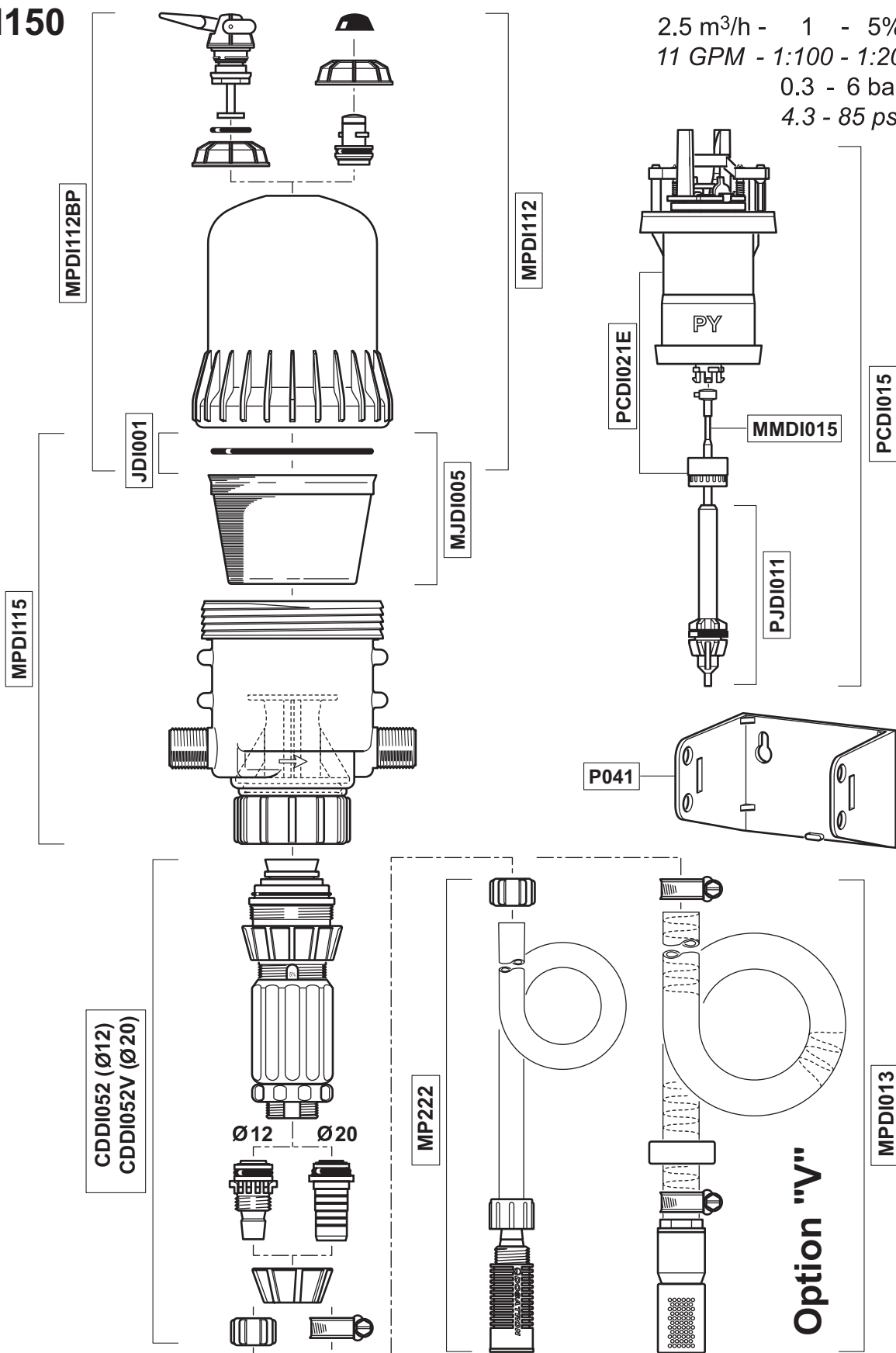


DI150

2.5 m³/h - 1 - 5%
 11 GPM - 1:100 - 1:20
 0.3 - 6 bar
 4.3 - 85 psi



DI150

2.5 m³/h - 1 - 5%
 11 GPM - 1:100 - 1:20
 0.3 - 6 bar
 4.3 - 85 psi

CDDI052 (Ø12)
 CDDI052V (Ø20)

PJDI060 (Ø12)
 PJDI060V (Ø20)

© DOSATRON INTERNATIONAL S.A. 2007
 DI150/1106/U2

