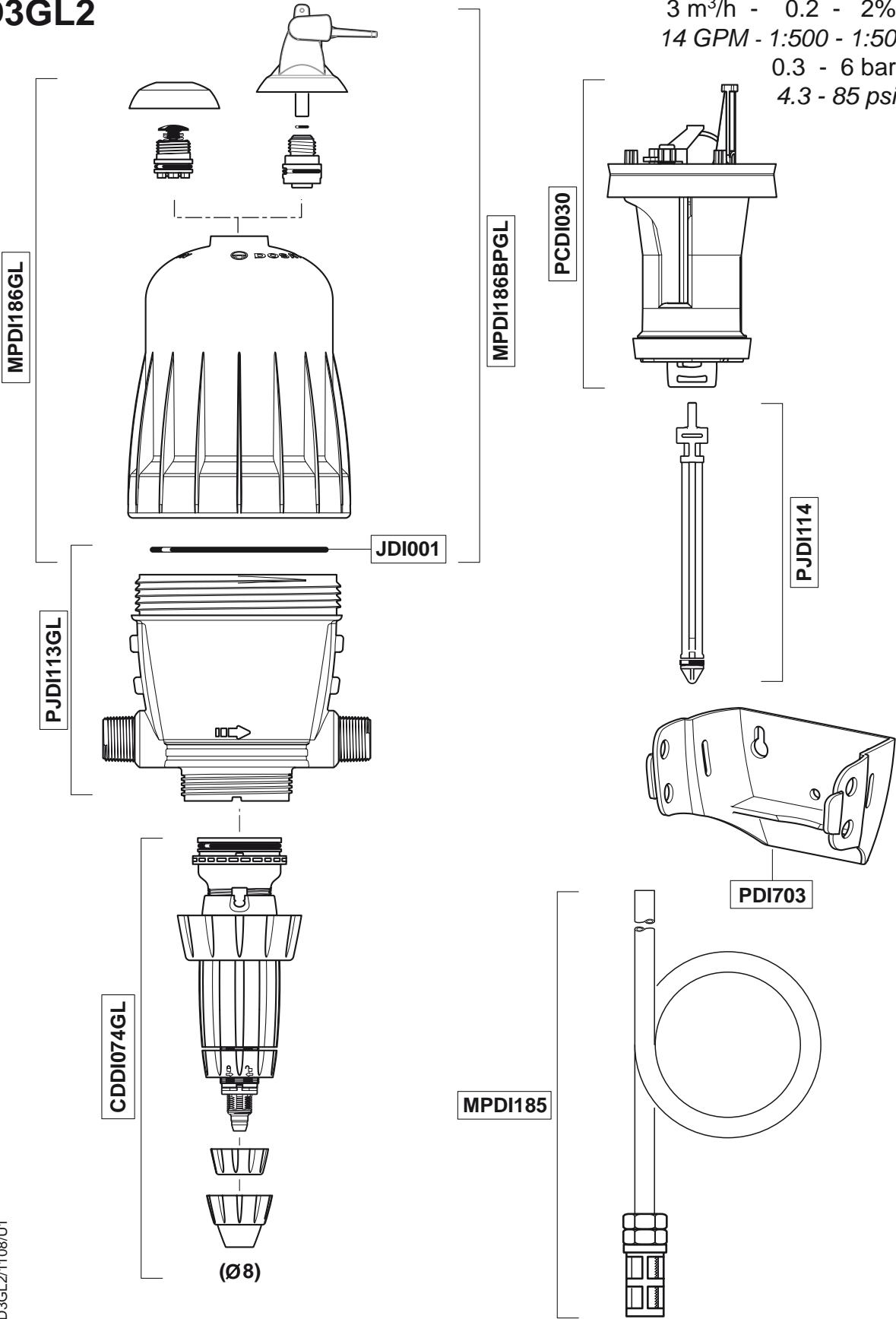


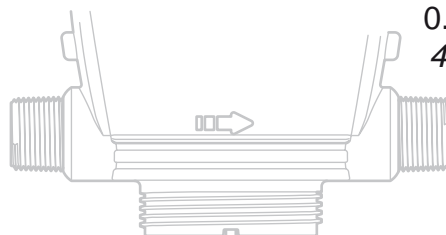
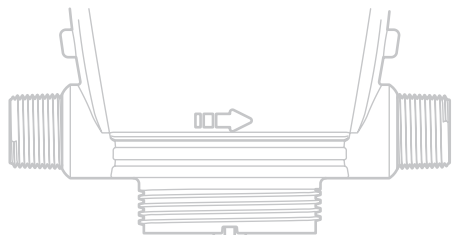
D3GL2

3 m³/h - 0.2 - 2%
 14 GPM - 1:500 - 1:50
 0.3 - 6 bar
 4.3 - 85 psi



D3GL2

3 m³/h - 0.2 - 2%
14 GPM - 1:500 - 1:50
0.3 - 6 bar
4.3 - 85 psi



CDDI074GL

PJD116GL

© DOSATRON INTERNATIONAL S.A.S. 2008
D3GL2/1108/U2

