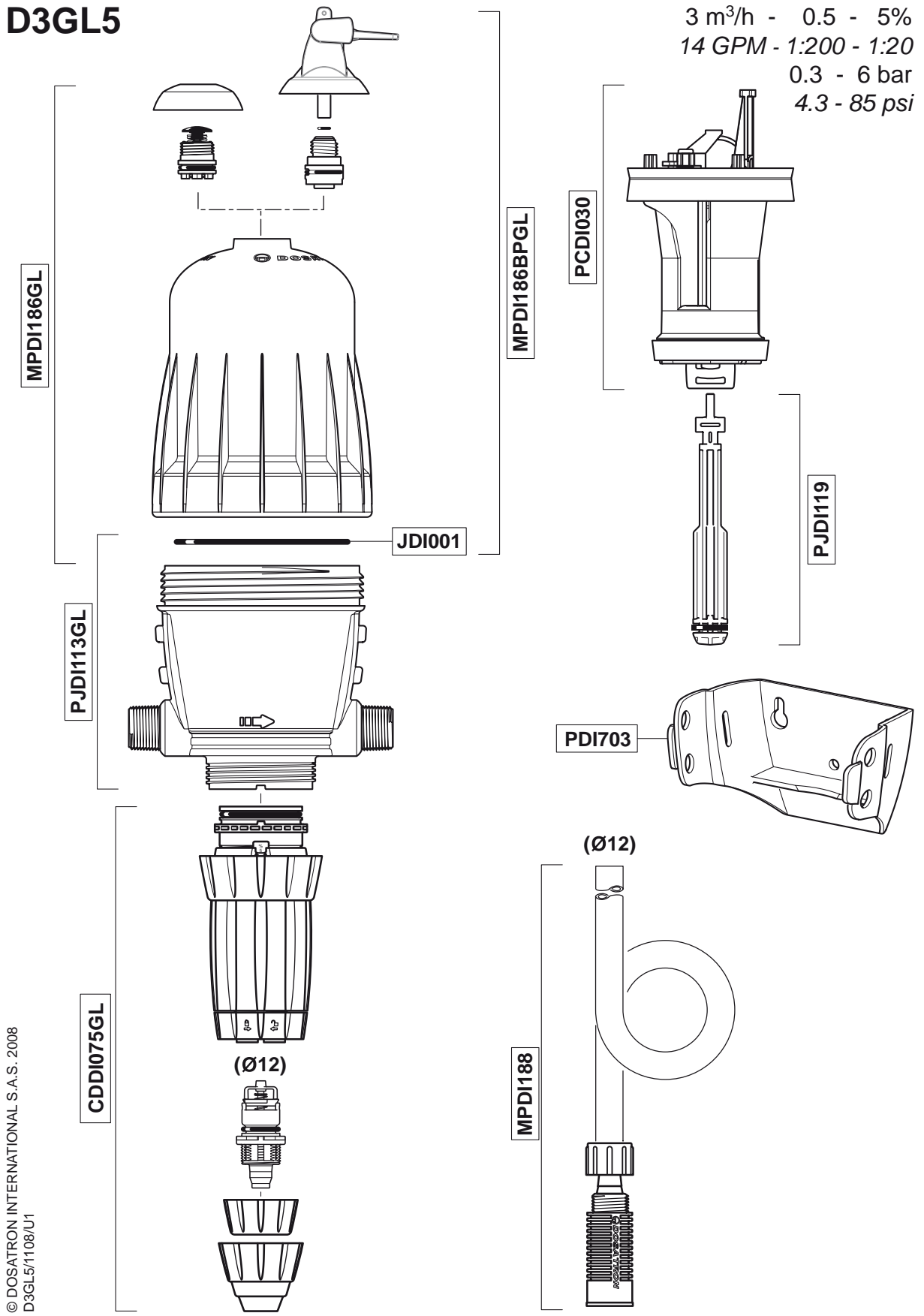


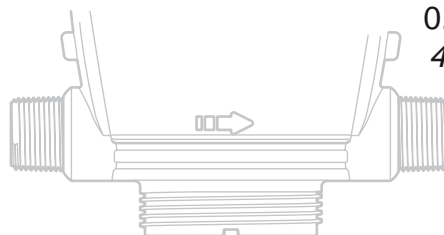
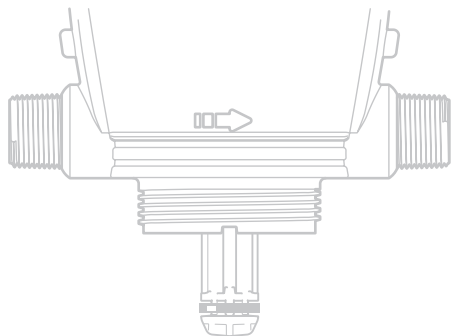
# D3GL5

3 m<sup>3</sup>/h - 0.5 - 5%  
 14 GPM - 1:200 - 1:20  
 0.3 - 6 bar  
 4.3 - 85 psi



# D3GL5

3 m<sup>3</sup>/h - 0.5 - 5%  
14 GPM - 1:200 - 1:20  
0.3 - 6 bar  
4.3 - 85 psi



CDDI075GL

PJD120GL

© DOSATRON INTERNATIONAL S.A.S. 2008  
D3GL5/1108/U2

