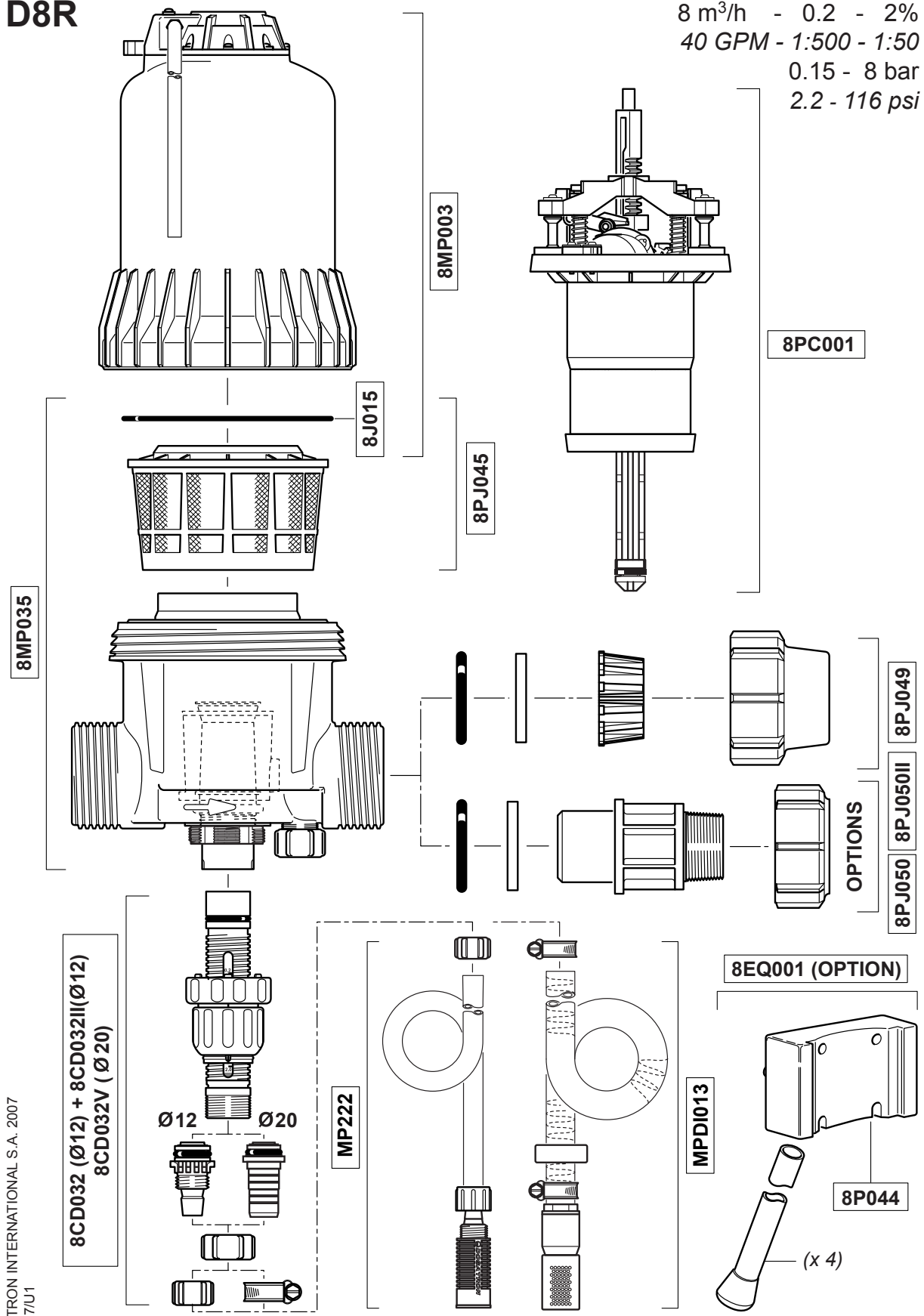


# D8R

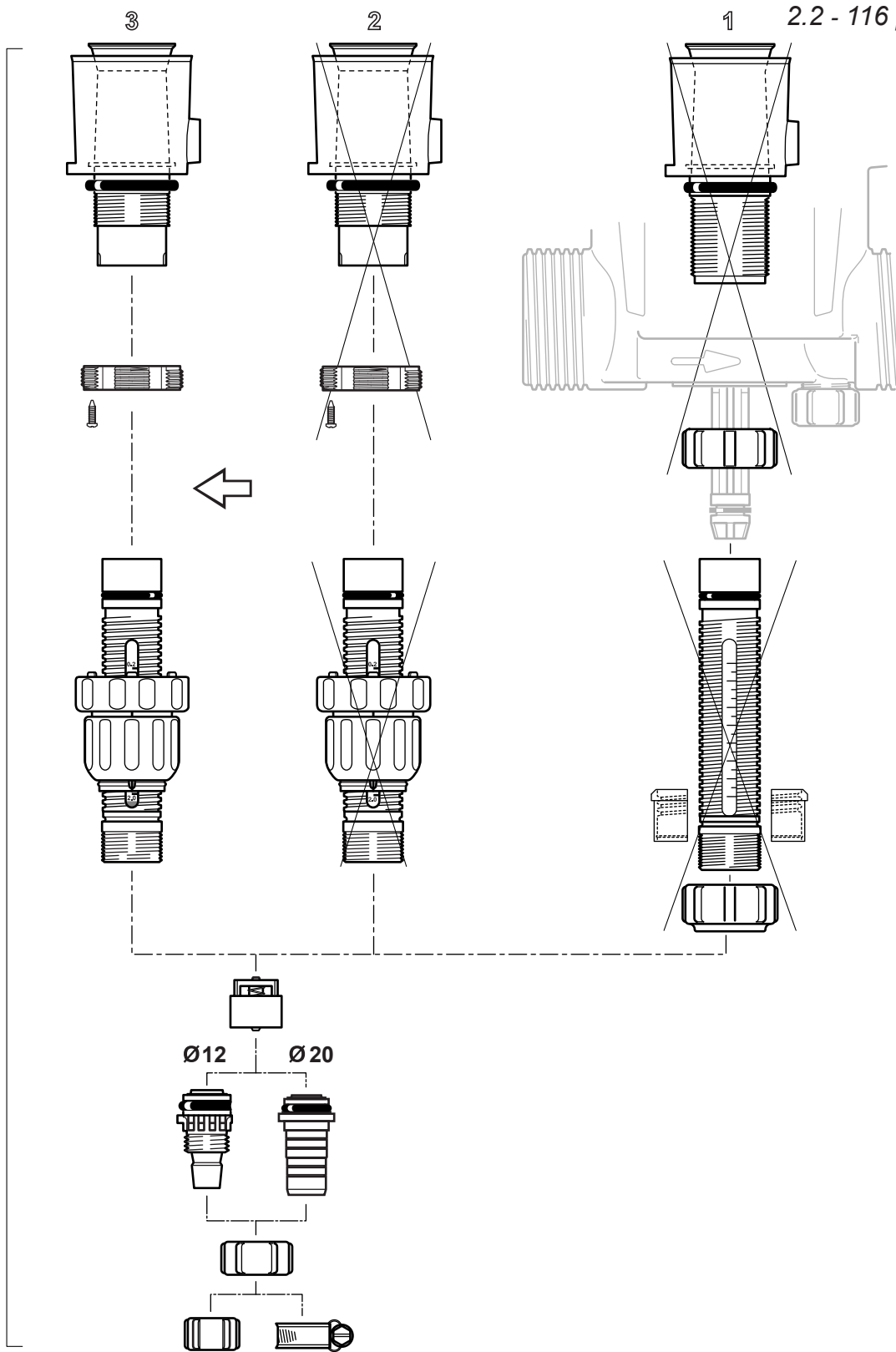
8 m<sup>3</sup>/h - 0.2 - 2%  
 40 GPM - 1:500 - 1:50  
 0.15 - 8 bar  
 2.2 - 116 psi



# D8R

8 m<sup>3</sup>/h - 0.2 - 2%  
 40 GPM - 1:500 - 1:50  
 0.15 - 8 bar  
 2.2 - 116 psi

8CD023 (Ø12) + 8CD023II (Ø12)  
 8CD023V (Ø20)



# D8R

8 m<sup>3</sup>/h - 0.2 - 2%  
40 GPM - 1:500 - 1:50  
0.15 - 8 bar  
2.2 - 116 psi

