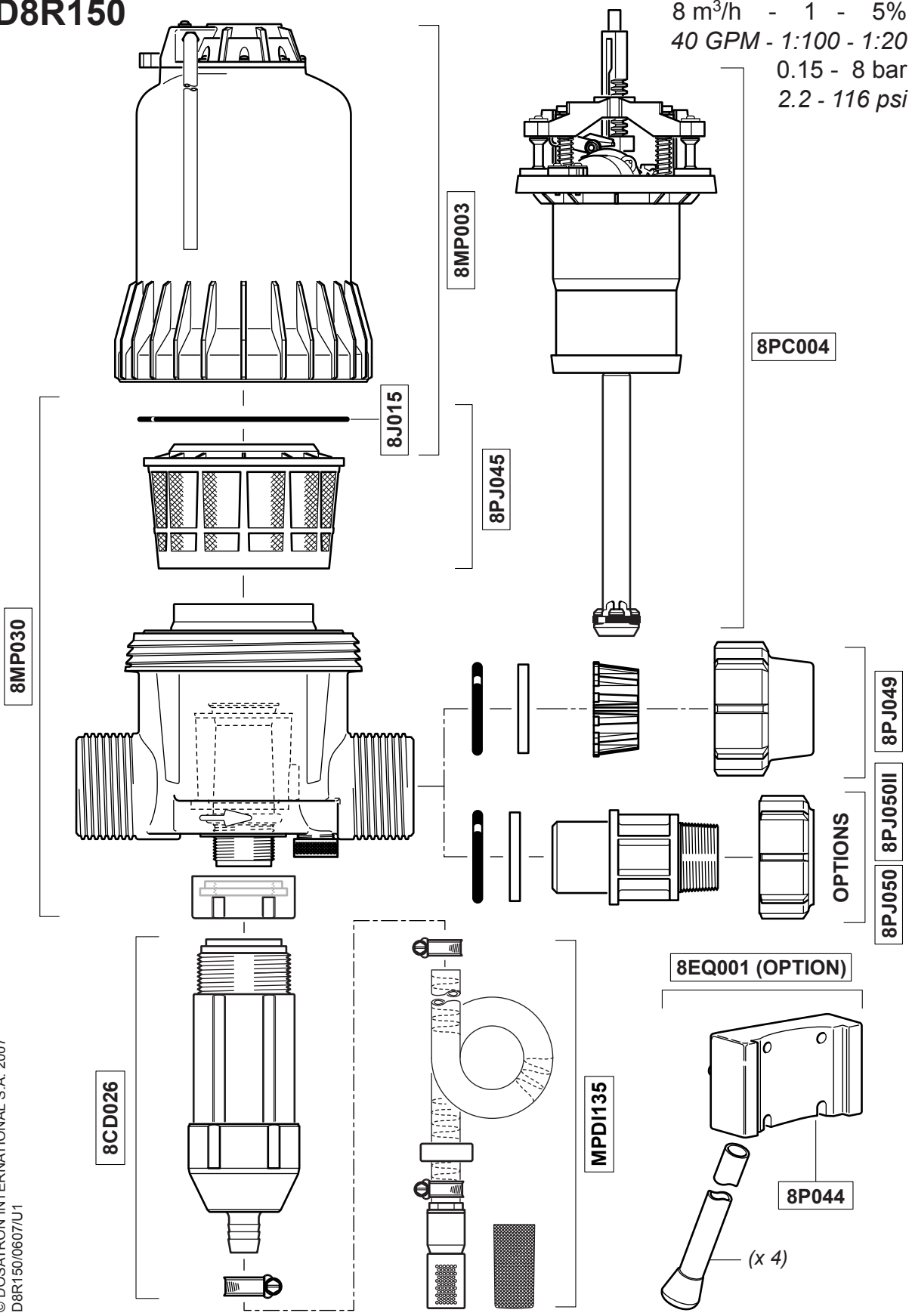


# D8R150

8 m<sup>3</sup>/h - 1 - 5%  
 40 GPM - 1:100 - 1:20  
 0.15 - 8 bar  
 2.2 - 116 psi



# D8R150

8 m<sup>3</sup>/h - 1 - 5%  
40 GPM - 1:100 - 1:20  
0.15 - 8 bar  
2.2 - 116 psi

© DOSATRON INTERNATIONAL S.A. 2007  
D8R150/0607/U2

