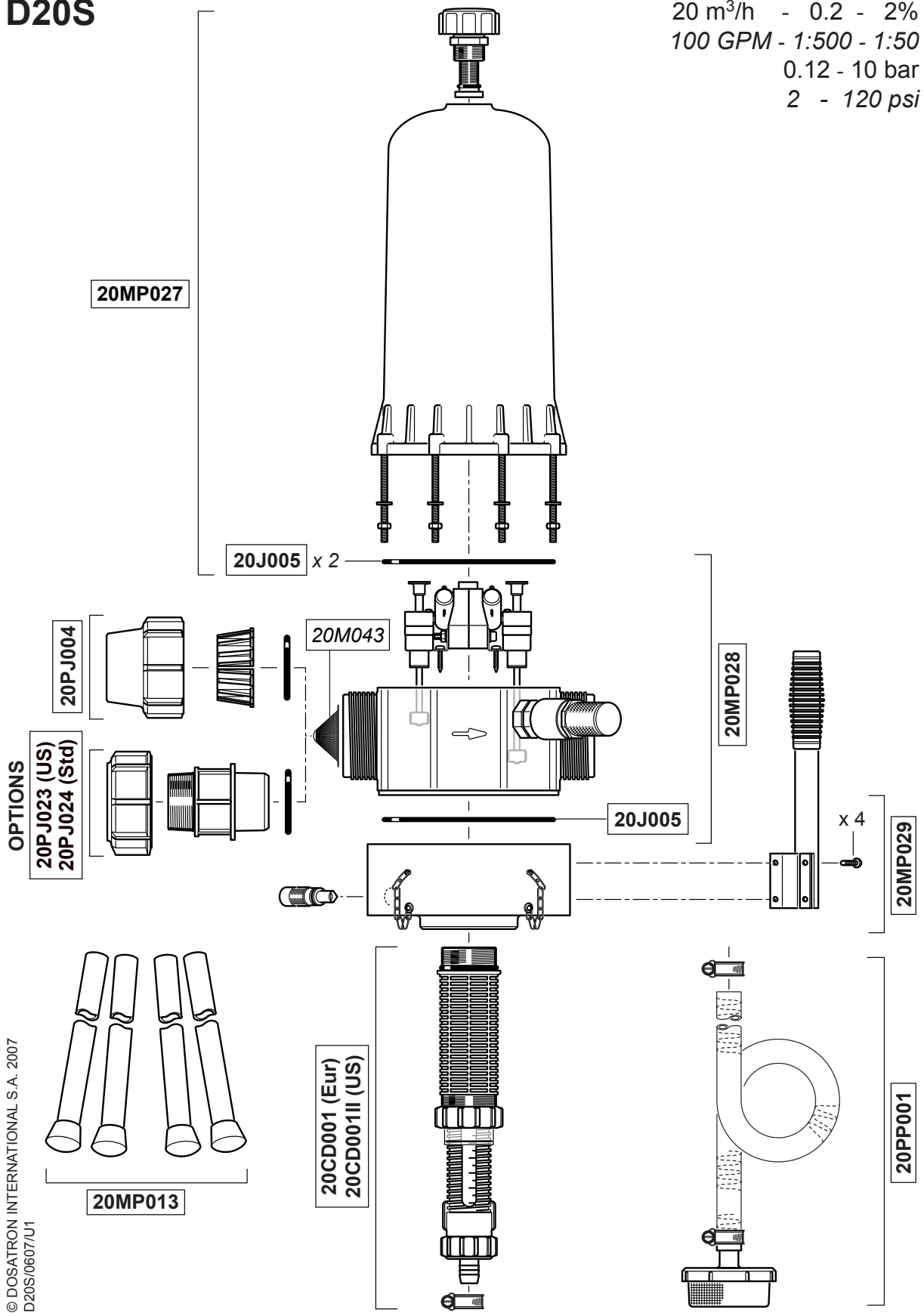


# D20S

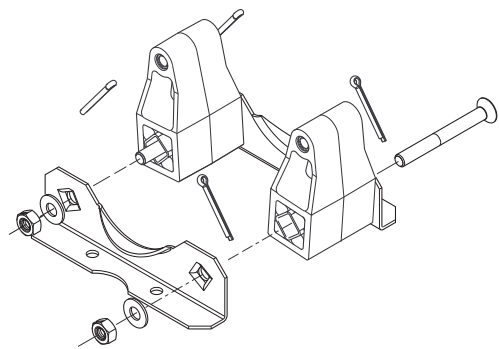
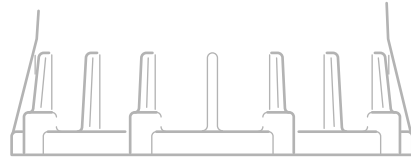
20 m<sup>3</sup>/h - 0.2 - 2%  
 100 GPM - 1:500 - 1:50  
 0.12 - 10 bar  
 2 - 120 psi



© DOSATRON INTERNATIONAL S.A. 2007  
 D20S/0607/U1

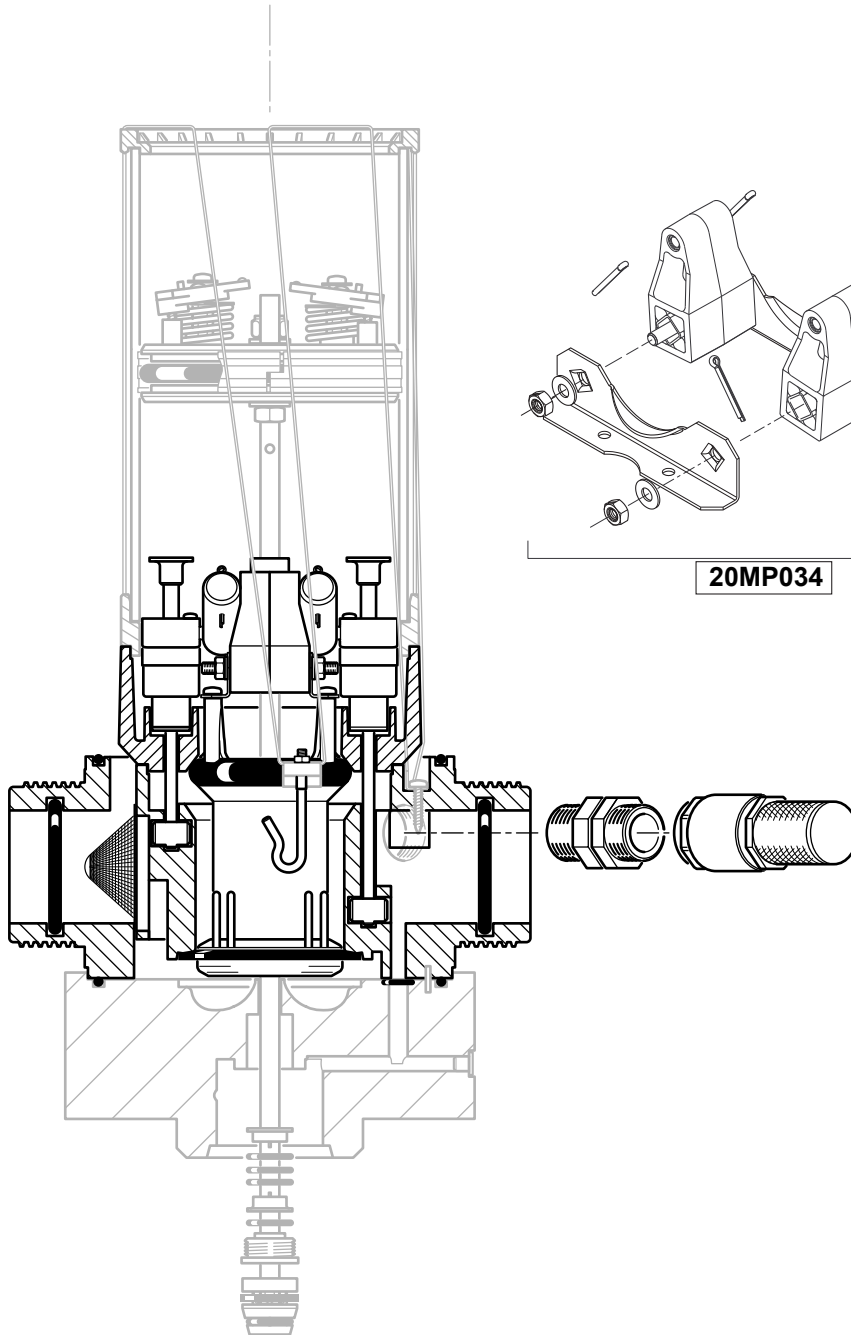
# D20S

20 m<sup>3</sup>/h - 0.2 - 2%  
100 GPM - 1:500 - 1:50  
0.12 - 10 bar  
2 - 120 psi



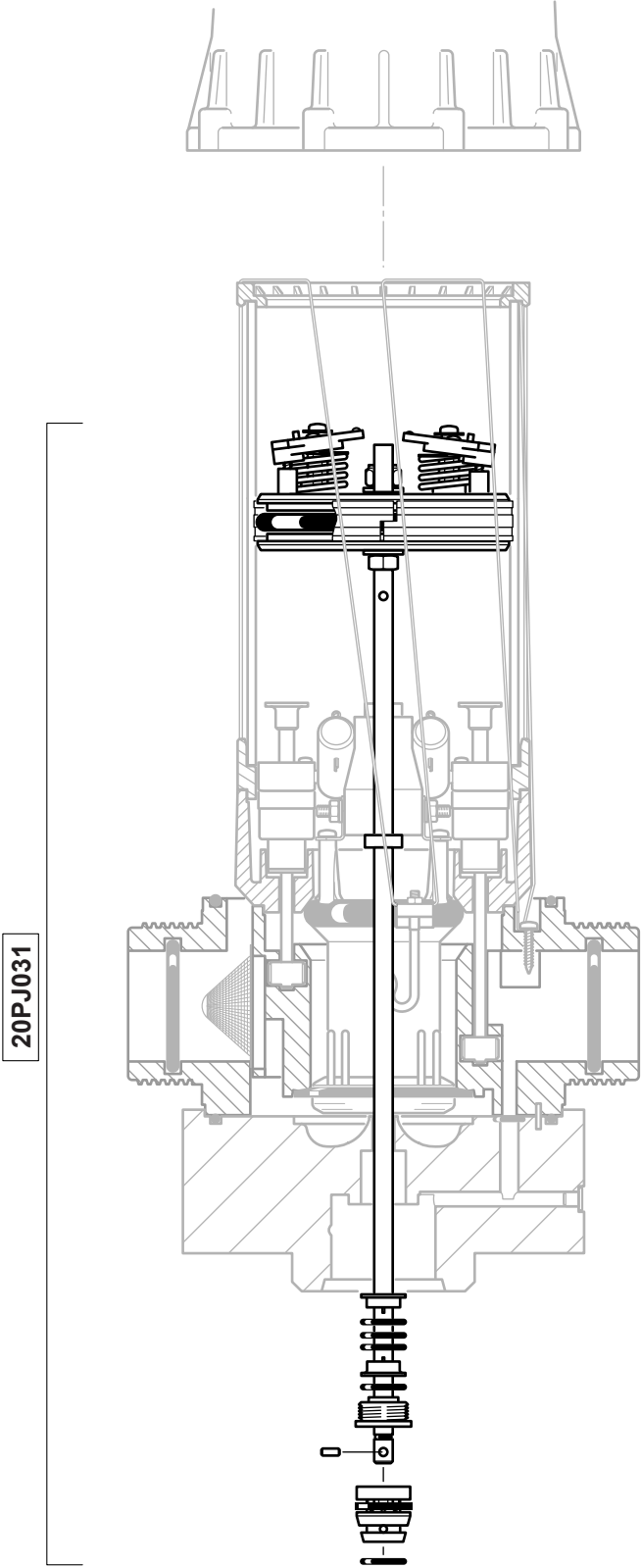
20MP034

20MP030



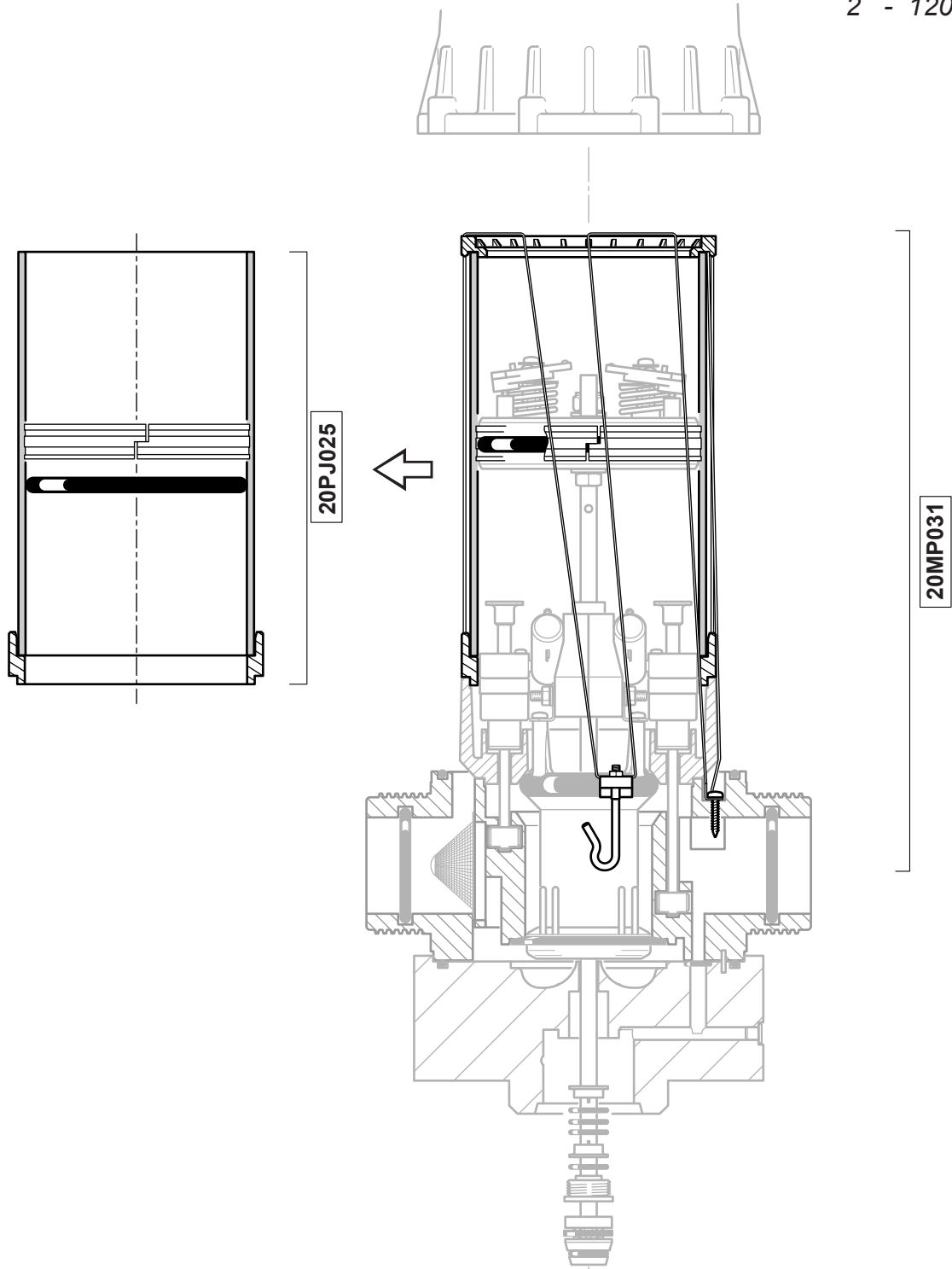
# D20S

20 m<sup>3</sup>/h - 0.2 - 2%  
100 GPM - 1:500 - 1:50  
0.12 - 10 bar  
2 - 120 psi



# D20S

20 m<sup>3</sup>/h - 0.2 - 2%  
100 GPM - 1:500 - 1:50  
0.12 - 10 bar  
2 - 120 psi



# D20S

20 m<sup>3</sup>/h - 0.2 - 2%  
100 GPM - 1:500 - 1:50  
0.12 - 10 bar  
2 - 120 psi

