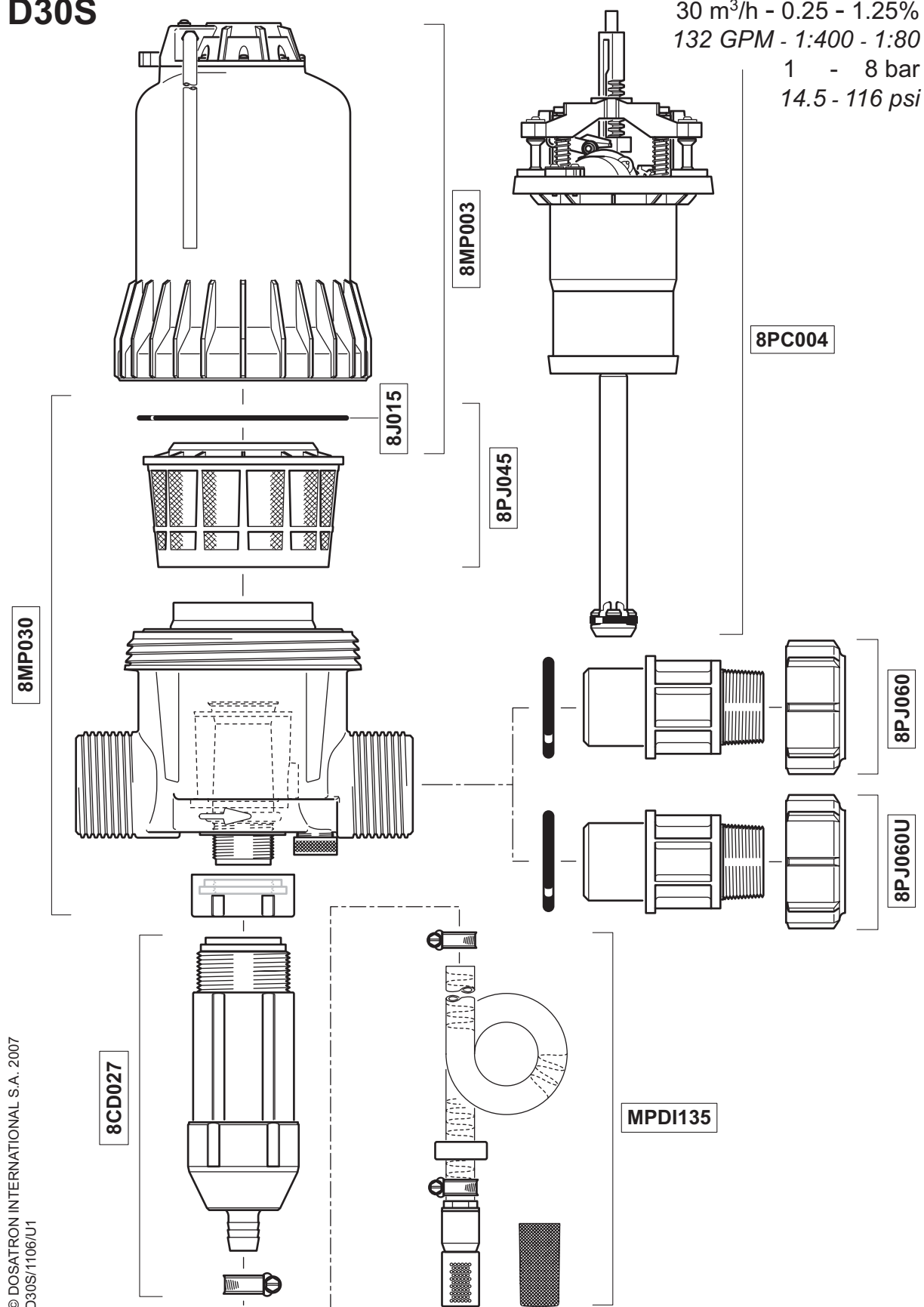


D30S

30 m³/h - 0.25 - 1.25%
 132 GPM - 1:400 - 1:80
 1 - 8 bar
 14.5 - 116 psi



D30S

30 m³/h - 0.25 - 1.25%
132 GPM - 1:400 - 1:80
1 - 8 bar
14.5 - 116 psi

© DOSATRON INTERNATIONAL S.A. 2007
D30S/1106/U2

