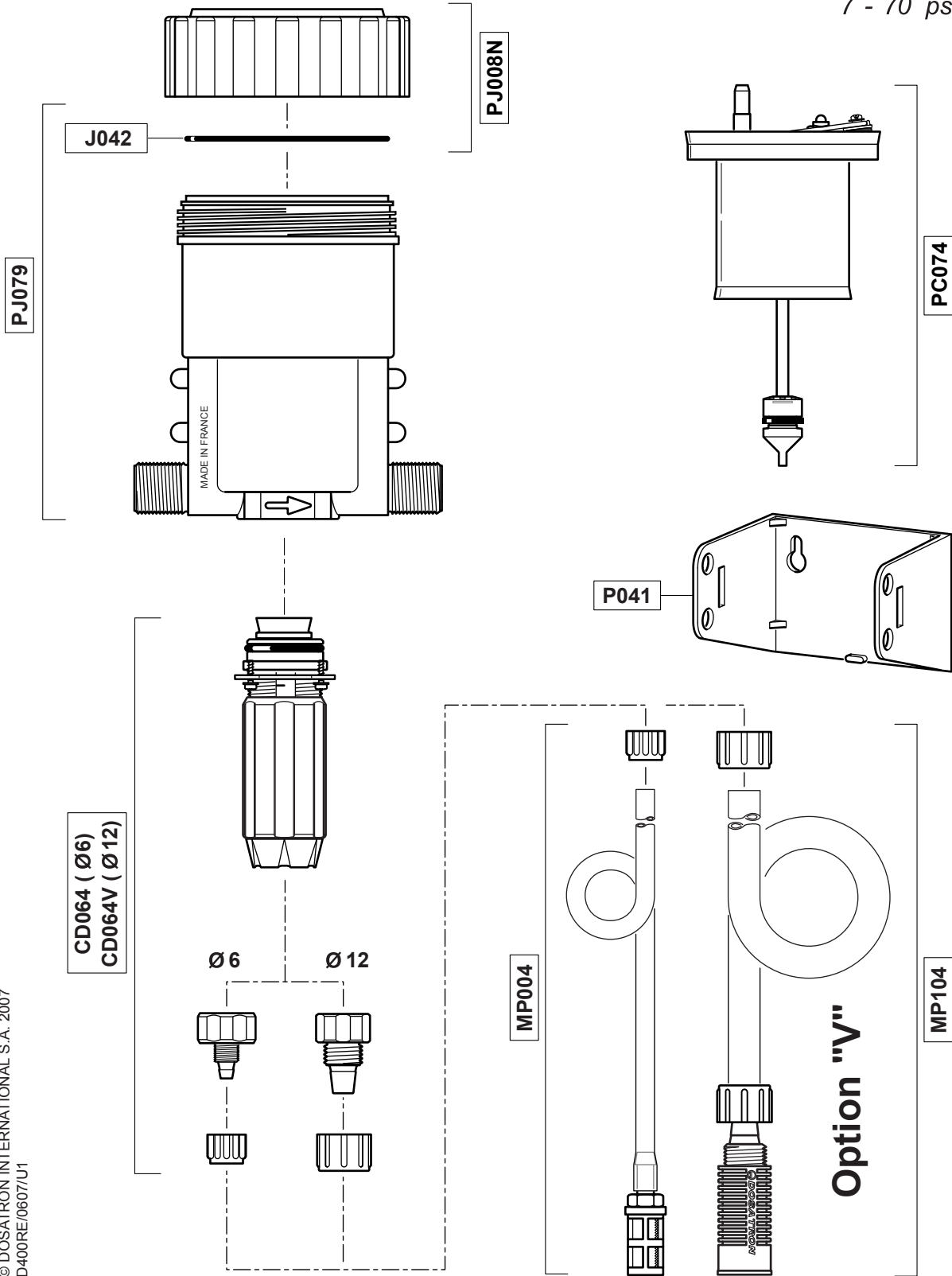
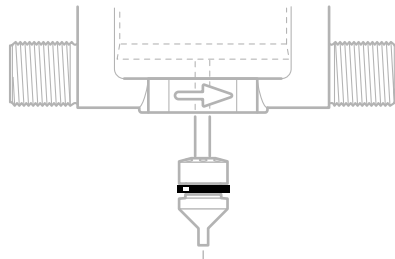


D400RE

1.5 m³/h - 0.5 - 4%
 7 GPM - 1:200 - 1:25
 0.5 - 5 bar
 7 - 70 psi



D400RE



1.5 m³/h - 0.5 - 4%
7 GPM - 1:200 - 1:25
0.5 - 5 bar
7 - 70 psi

CD064 (Ø 6)
CD064V (Ø 12)

PJ104 (Ø 6)
PJ104V (Ø 12)

© DOSATRON INTERNATIONAL S.A. 2007
D400RE/0607/U2

